

Tanaka Illustrated Parts Manual

Model Number:

TC-4700

SCOOTER ENGINE

P/N 31301

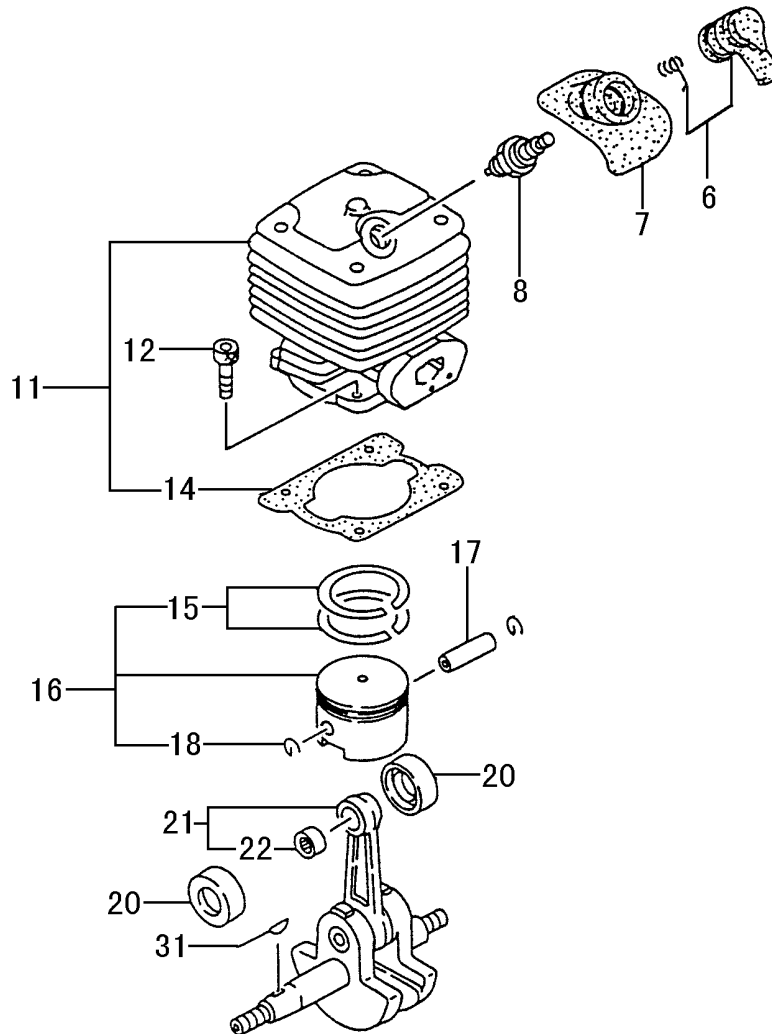
Rev 000

Date 10-1-02

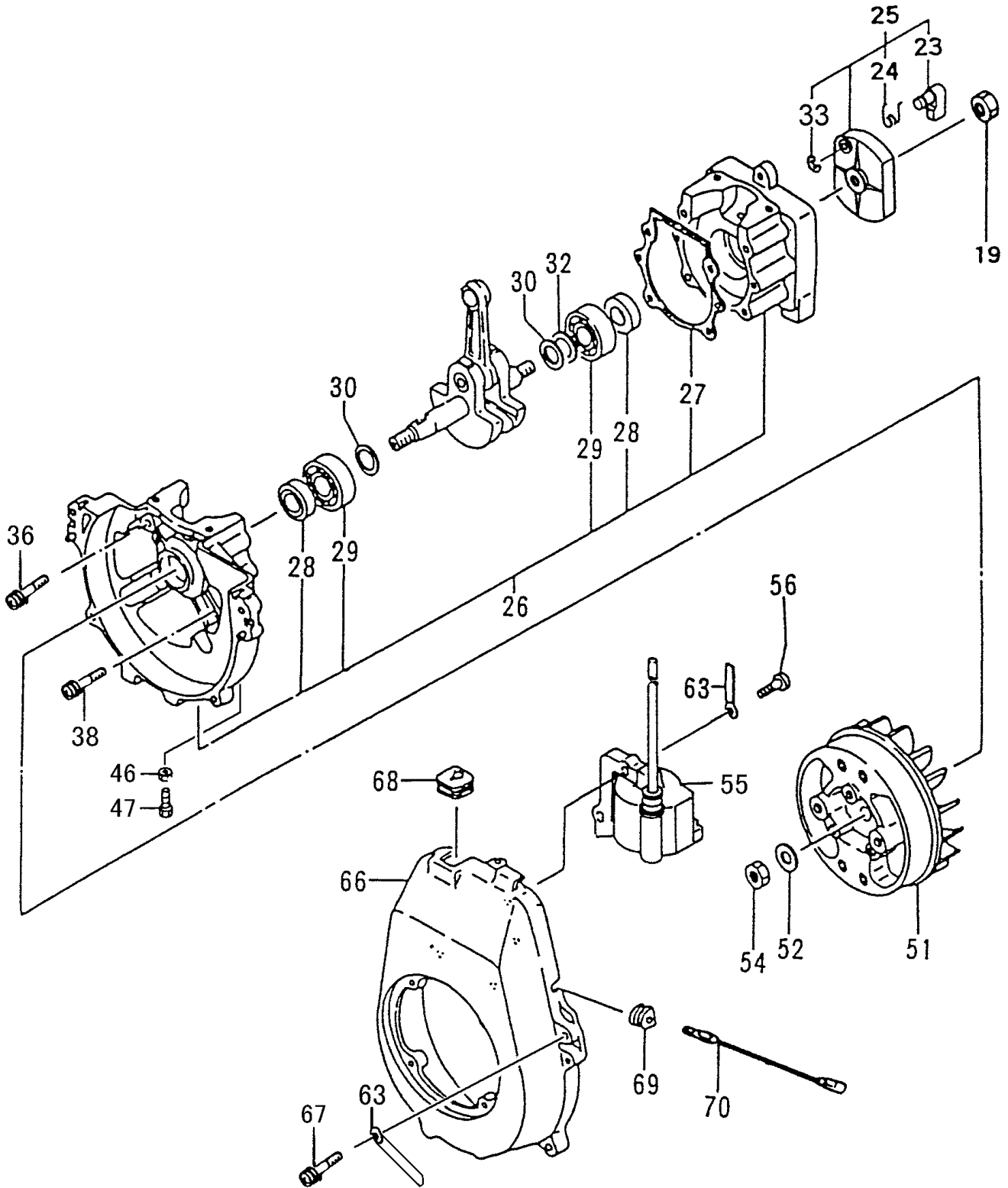


Supplier To The Outdoor Power Equipment Industry

ISM, Inc. • 1028 4th Street SW • Auburn, WA 98001 • Phone: (253) 333-1200 • Fax: (253) 333-1212

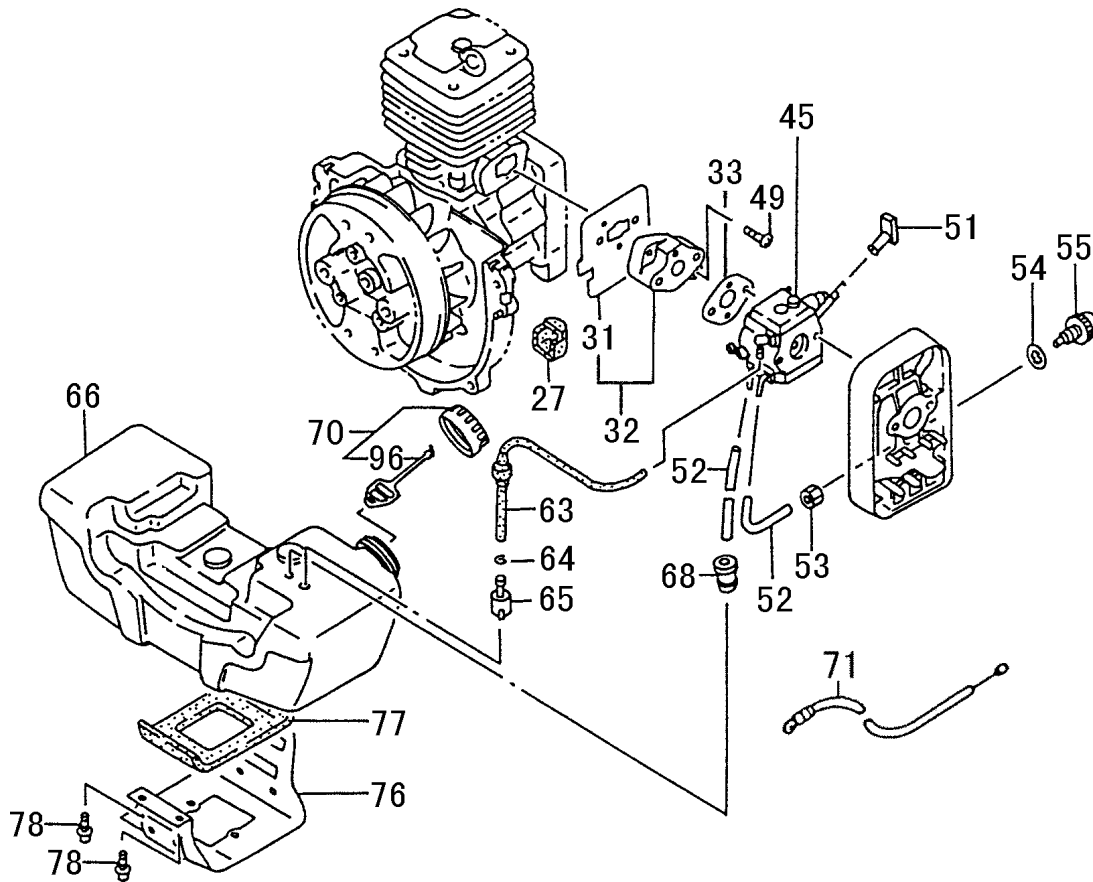


ITEM	PART NUMBER	DESCRIPTION	QTY	COMMENTS
1-6	15711666900	CAP, SPARK PLUG ASSEMBLY	1	
1-7	25504200200	COVER, SPARK PLUG, RUBBER	1	
1-8	0181166021	PLUG, SPARK	1	
1-11	0010422U90	SET, CYLINDER	1	
1-12	99461050184	BOLT, HEX, 5X18, S	4	
1-14	0170422021	GASKET, CYLINDER	1	
1-15	04104090210	RING, PISTON	2	
1-16	0300422U90	PISTON	1	
1-17	03710100200	PIN, PISTON, 10X35	1	
1-18	03901000200	CIRCLIP, PISTON PIN	2	
1-20	0360409020	COLLAR, PISTON PIN	2	
1-21	0460422080	CRANKSHAFT	1	
1-22	99962101480	BEARING, NEEDLE	1	
1-31	06802000200	KEY, WOODRUFF, 3X13X5	1	

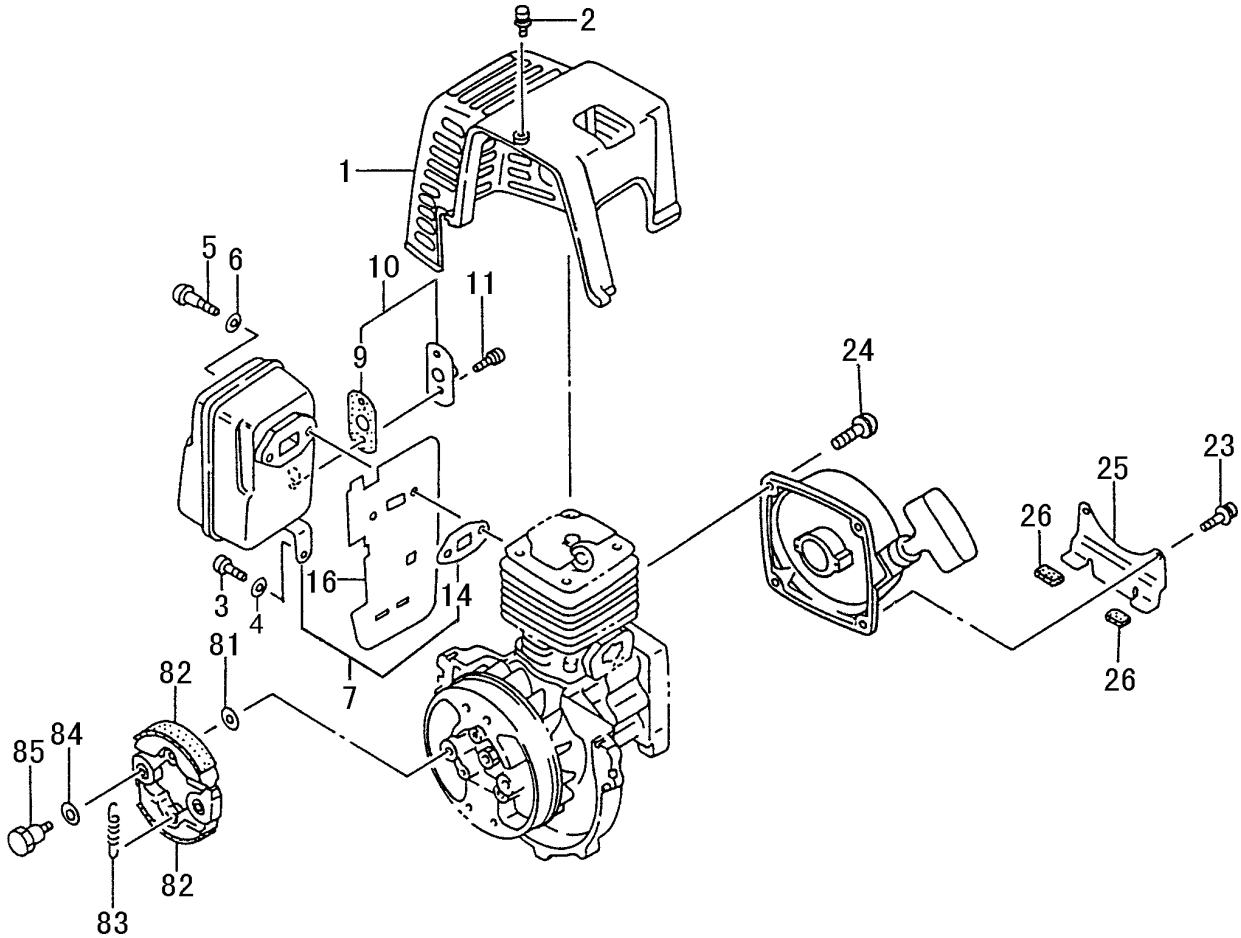


CRANKCASE, FLYWHEEL, STARTER PULLEY • FIGURE 2

ITEM	PART NUMBER	DESCRIPTION	QTY	COMMENTS
2-19	99111100013	NUT,10	1	
2-23	7880162V20	PAWL,STARTER	1	
2-24	7900162V200	SPRING,PAWL,STARTER	1	
2-25	7980422090	PAWL, STARTER ASSEMBLY	1	
2-26	0720422091	CRANKCASE ASS'Y	1	
2-27	09004200210	GASKET,CRANKCASE	1	
2-28	99966152511	SEAL,OIL,#VE15X25X7	2	
2-29	99961620200	BEARING,BALL,#6202	2	
2-30	07002401201	WASHER,CRANKSHAFT 15X22	2	
2-32	07102007200	SHIM,15.2X20X.05	1	
2-32	07102007210	SHIM,15.2X20X.10	1	
2-32	07102007220	SHIM,15.2X20X.15	1	
2-32	07111600230	SHIM,16X21X.20	1	
2-32	07111600240	SHIM,16X21X.30	1	
2-33	99355050000	RING,STOP,5	1	
2-36	99414060451	SCREW 6x45/S	2	
2-38	99414060301	SCREW,6X30/S	2	
2-46	99101060013	NUT,6	1	
2-47	89401401201	RECEIVER,OUTER	1	
2-51	1552053780	ROTOR,MAGNETO	1	
2-52	99200100011	WASHER,10	1	
2-54	99111100011	NUT,10	1	
2-55	1672053780	COIL,IGNITION	1	
2-56	99416050181	SCREW,5x18,WS	3	
2-63	19805015800	CLAMP,CORD	2	
2-66	1120428222	CASE,FAN,POLISHED	1	
2-67	99414060202	SCREW,6X20S	4	
2-68	2030604A202	GROMMET	1	
2-69	20306000200	GROMMET,PRIMARY CORD	1	
2-70	1780656280	CORD,STOP,240L	1	



ITEM	PART NUMBER	DESCRIPTION	QTY	COMMENTS
3-27	65504200200	CUSHION,FUEL TANK	2	
3-31	4030422021	GASKET,INTAKE	1	
3-32	4040422U90	SET,CARB INSULATOR	1	
3-33	4020174020	GASKET,CARBURETOR	1	
3-45	45525055900	CARBURETOR	1	
3-49	99416050241	SCREW 5x24WS	2	
3-51	49504200200	LEVER,CHOKE	1	
3-52	70002504090	PIPE,FUEL	2	
3-53	99111100011	NUT,10	1	
3-54	99220100010	WASHER,10 INNER TOOTHED	1	
3-55	42225030800	PUMP,PRIMING	1	
3-63	22301251901	PIPE,FUEL,3X5X230	1	
3-64	68000731201	CLIP 6.3	1	
3-65	67501630900	FILTER,FUEL	1	
3-66	5910422P21	TANK,WHITE,TC-4700	1	
3-68	53432710200	GROMMET,FUEL PIPE	1	
3-70	5950651690	CAP,TANK,BLACK	1	
3-71	8850428280	WIRE,THROTTLE,2070+111	1	
3-76	60304201200	BAND,HOLDING,TANK	1	
3-77	65204201200	CUSHION	1	
3-78	99415050162	SCREW,5X16/PS	2	
3-96	62632810200	CHAIN,TANK CAP	1	



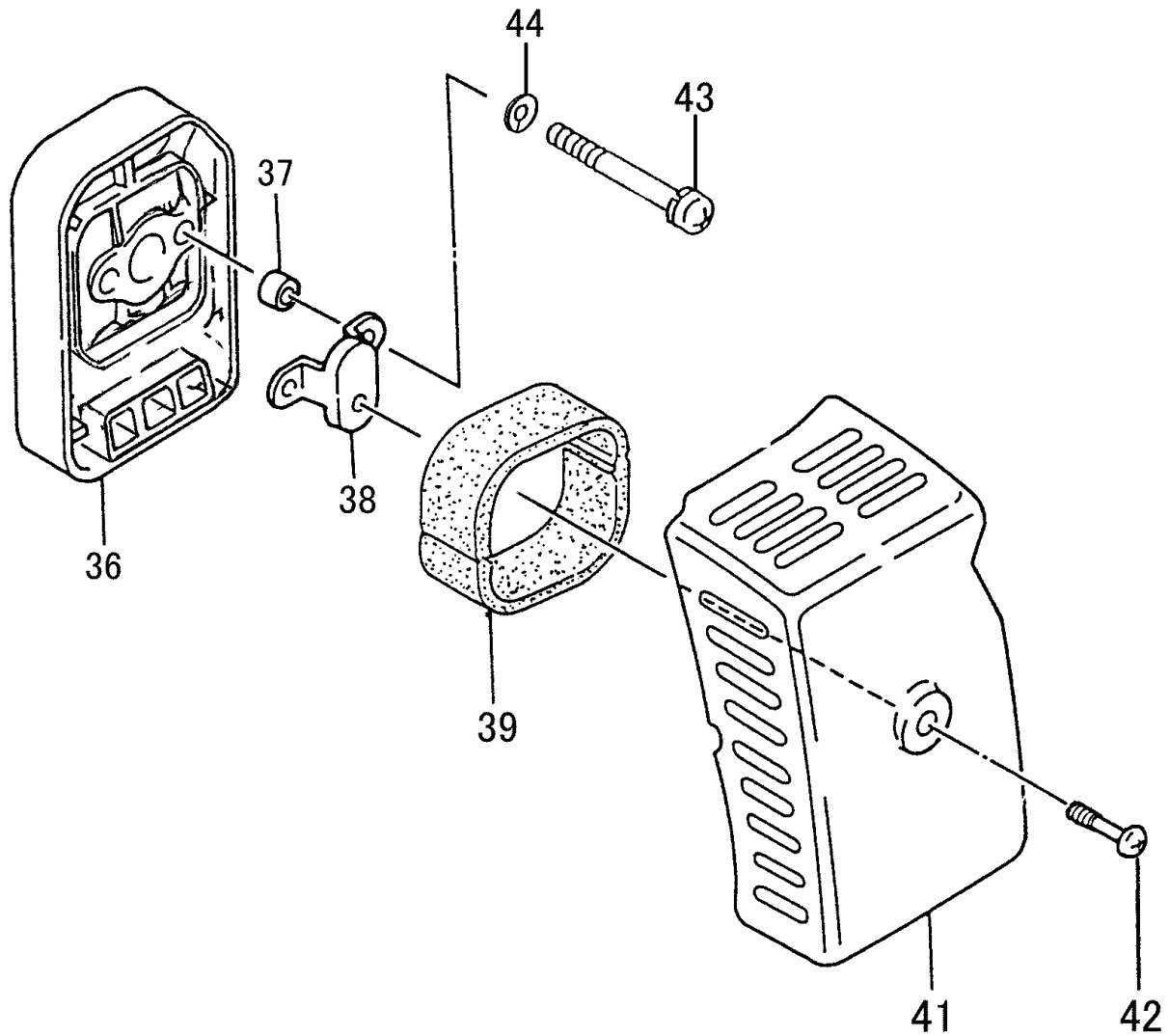
**Optional Tuned Racing Pipe
#31275**



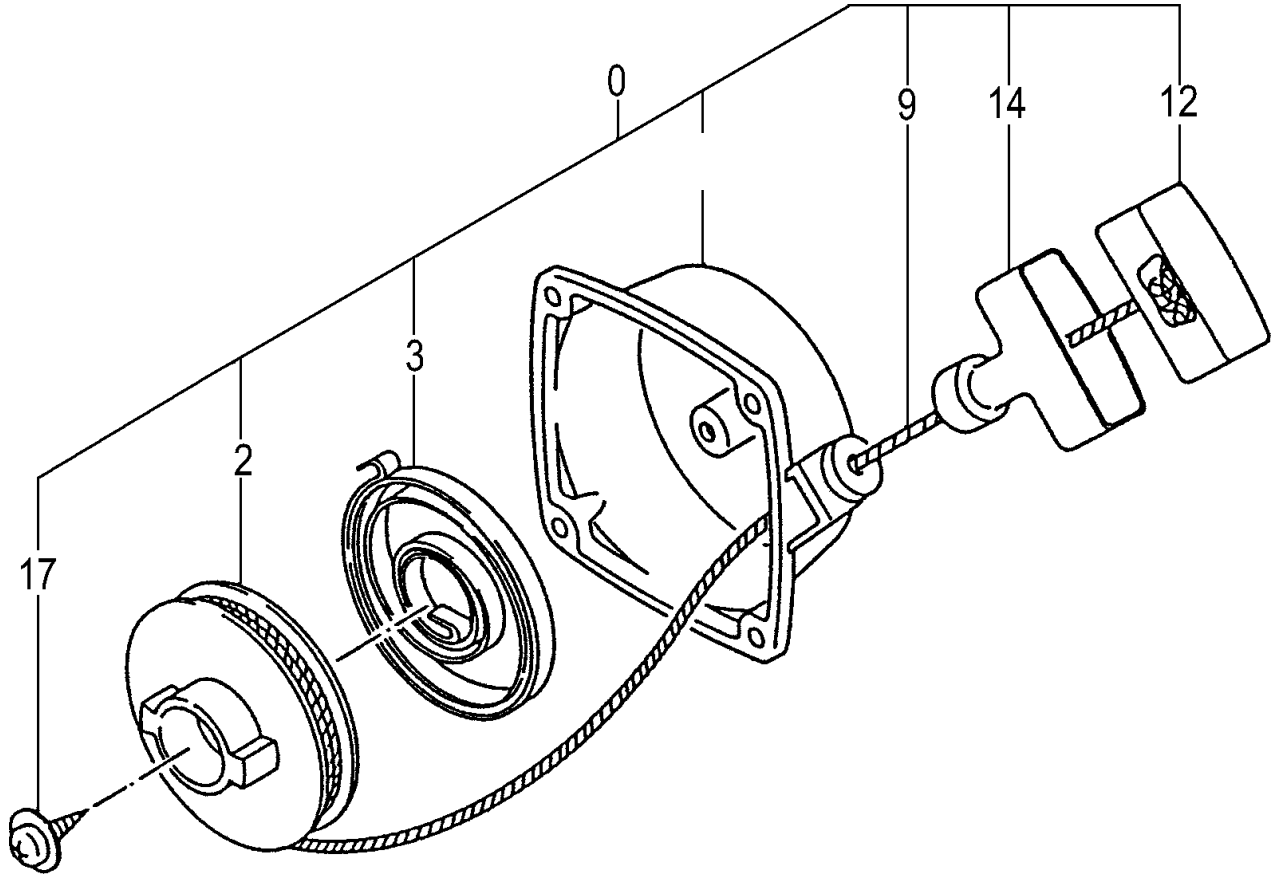
ITEM	PART NUMBER	DESCRIPTION	QTY	COMMENTS
4-1	7380422020	PROTECTOR,MUFFLER	1	
4-2	99415050122	SCREW,5X12/PS	1	
4-3	99461050124	BOLT,HEX,5X12S	1	
4-4	99201050061	WASHER,5	1	
4-5	99053060653	SCREW,HEX,6X65	2	
4-6	99201060011	WASHER,6	2	
4-7	7040422S90	MUFFLER	1	
4-9	75104200201	GASKET,MUFFLER	1	
4-10	7210430090	TAIL PIPE SET	1	
4-11	99414040081	SCREW,4X8	2	
4-14	73704230200	GASKET,MUFFLER	1	
4-16	1330423020	SHIELD,HEAT	1	
4-23	99415050182	SCREW,5X18/PS	2	
4-24	99415050252	SCREW,PS,5X25	2	
4-25	65304200200	BRACKET,TANK	1	
4-26	65506100200	CUSHION,TANK	2	
4-81	35910112203	WASHER,CLUTCH B	2	
4-82	2900427080	SHOE,CLUTCH	2	
4-83	3420427020	SPRING,CLUTCH	1	
4-84	99204100030	WASHER,WAVE,10	2	
4-85	3570136U200	BOLT,STEP,CLUTCH	2	

Optional Performance / Racing Pipes

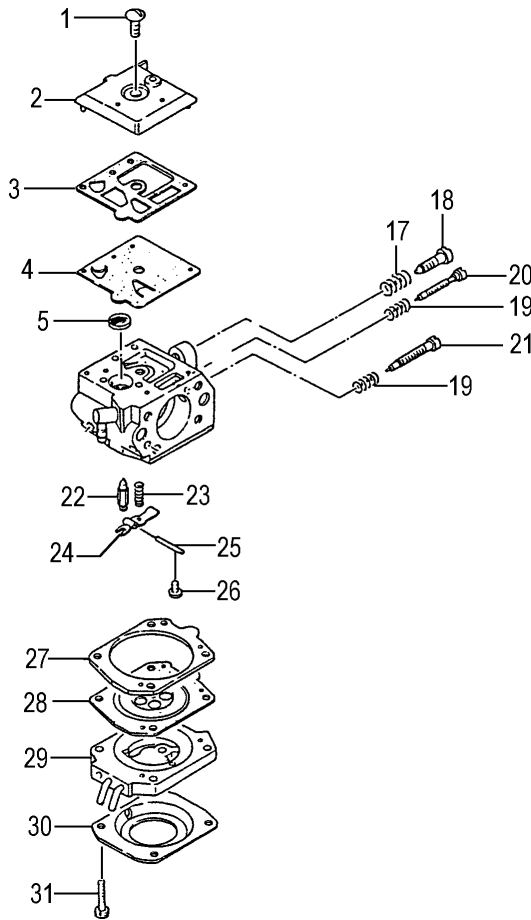
ITEM	PART NUMBER	DESCRIPTION	QTY	COMMENTS
	31275	NICKEL PLATED TUNED RACING PIPE	1	MINOR MODIFICATION REQUIRED



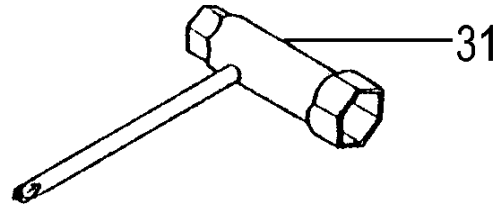
ITEM	PART NUMBER	DESCRIPTION	QTY	COMMENTS
5-36	4230427020	BODY, CLEANER	1	
5-37	65900801200	COLLAR	2	
5-38	4760422U80	BOARD, BLOW OVER CHECK	1	
5-39	4460652N20	CLEANER, ELEMENT	1	
5-41	4240420022	COVER, AIR CLEANER	1	
5-42	4500407220	COVER, CLEANER BOLT	1	
5-43	99011050601	SCREW, 5X60	2	
5-44	99210050012	WASHER, S, 5	2	



ITEM	PART NUMBER	DESCRIPTION	QTY	COMMENTS
6-0	7620422090	STARTER, RECOIL ASSY	1	
6-1	7720422080	BODY, RECOIL STARTER	1	
6-2	7690422020	REEL, STARTER ROPE	1	
6-3	7790422020	SPRING, RECOIL	1	
6-9	7830427020	ROPE, STARTER	1	
6-12	8350422020	CAP, HANDLE	1	
6-14	7850422020	HANDLE, STARTER	1	
6-17	8390422020	SCREW, SET	1	



ITEM	PART NUMBER	DESCRIPTION	QTY	COMMENTS
7-0	4550422U90	CARBURETOR ASS'Y	1	
7-1	51425001200	SCREW, SET	1	
7-2	57525012200	BODY, PUMP	1	
7-3	~ ~ ~	GASKET, PUMP	1	
7-4	~ ~ ~	DIAPHRAGM, PUMP	1	
7-5	57825007200	SCREEN, INLET	1	~ Contained in Carb Repair Kit
7-17	46325012200	SPRING, IDLE ADJUST	1	P/N 650-25124-900
7-18	46225006200	SCREW, IDLE ADJUST	1	(Not available individually)
7-19	62325054200	SPRING, ADJUST	2	
7-20	46125032200	SCREW, LOW ADJUST	1	
7-21	46025032200	SCREW, HIGH ADJUST	1	
7-22	6032501220	NEEDLE VALVE	1	
7-23	47725051200	SPRING, VALVE	1	
7-24	47325012200	LEVER, CONTROL	1	
7-25	60525001200	PIN, HINGE	1	
7-26	54625001200	SCREW, SET, HINGE PIN	1	
7-27	~ ~ ~	GASKET, DIAPHRAGM	1	
7-28	~ ~ ~	DIAPHRAGM, METERING	1	
7-29	45425032800	PURGE, AIR	1	
7-30	47625032200	COVER, DIAPHRAGM	1	
7-31	54825016200	SCREW, SET	4	



ITEM	PART NUMBER	DESCRIPTION	QTY	COMMENTS
8-1	9060428220	DECAL,TC-4700	1	
8-31	8262000080	SPANNER,COMBI,17X19	1	